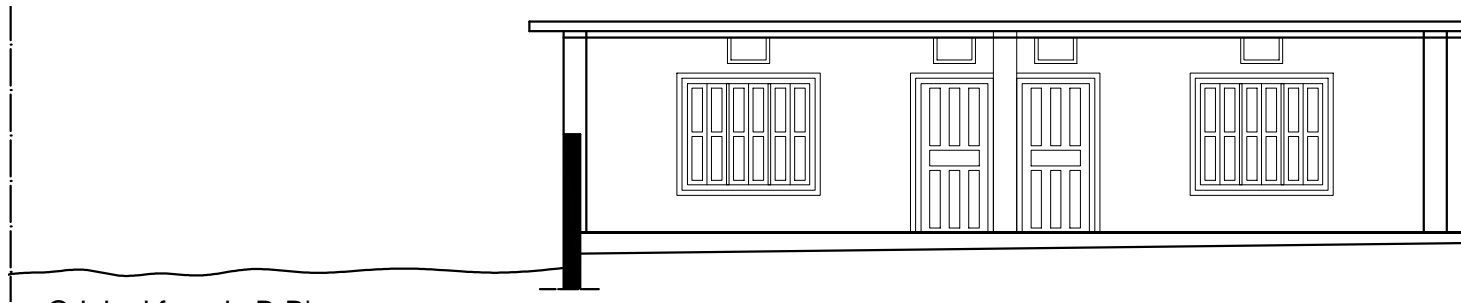
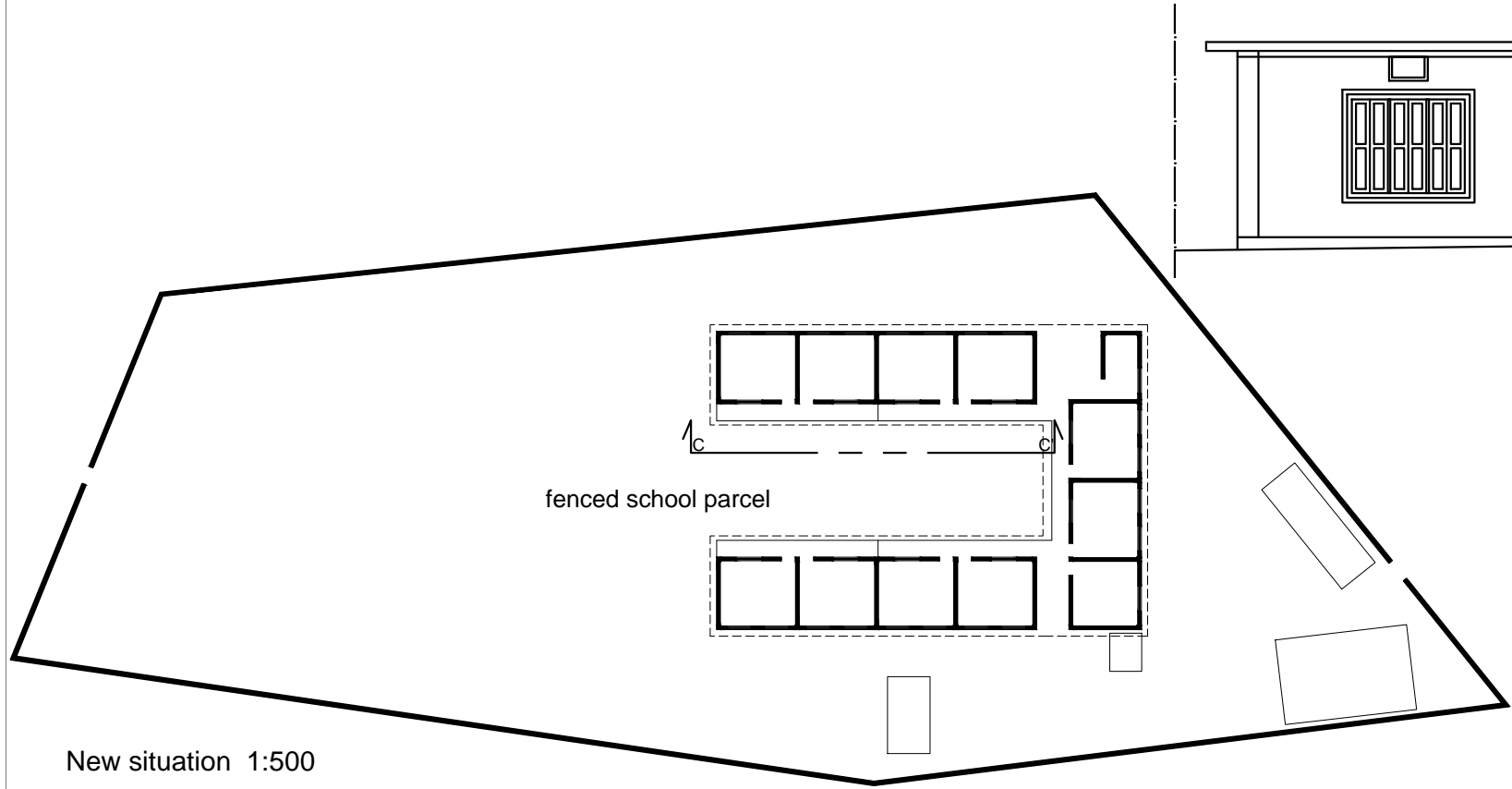


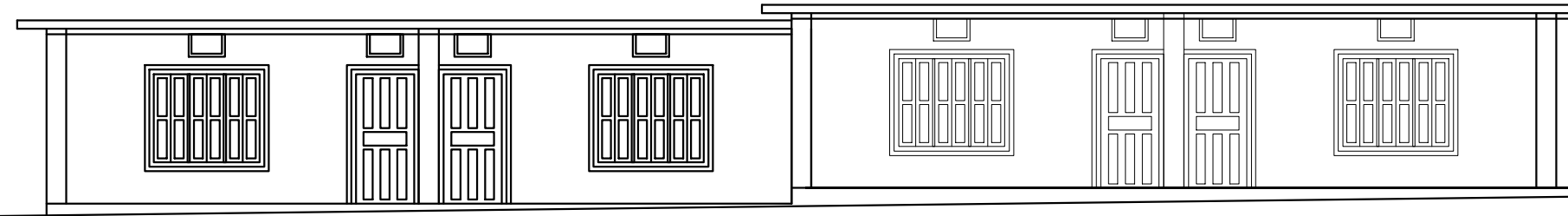
Original situation 1:500



Original facade B-B'



New situation 1:500

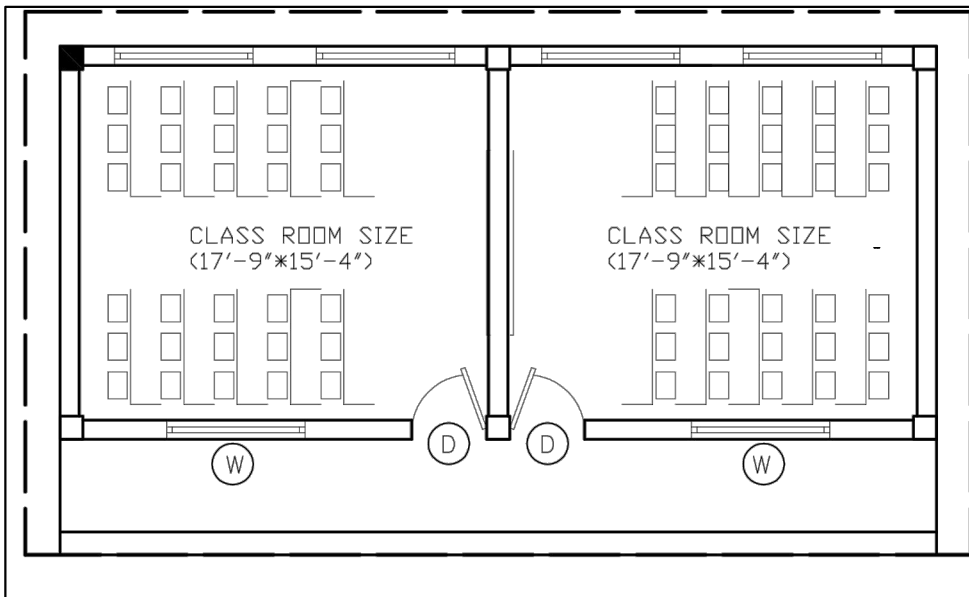


Extended facade C-C'

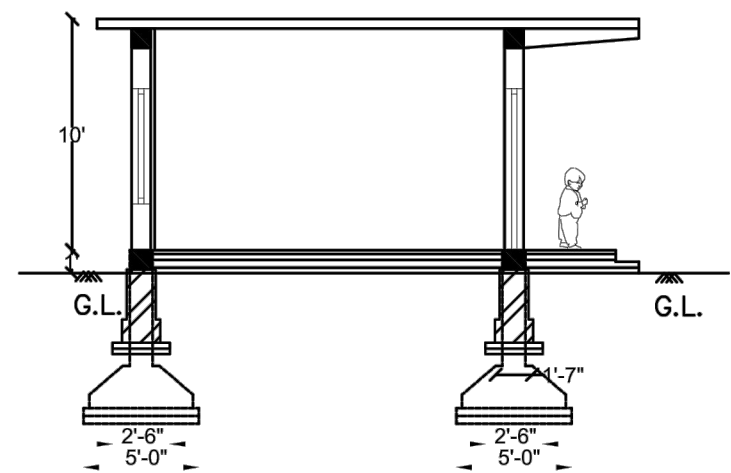
School wall length original situation: 131,3 m
 School wall length new situation: 249,5 m



Parcel in urban context
 (positioned north-south) 1:2000



Original design concept, designed by Rajendra Prakash Limbu, used as base for the extension



SECTION AT A-A

Measures are indicative, check at site required



Topic:
 Extension of number of classrooms

Project address:
 Falkland Basti, Dharan- 17,
 Sunsari, Nepal

Initiator:
 Stichting children's home Dharan
 Oostenburgerpark 82
 1018 HT Amsterdam
 The Netherlands

Architectural design:
 architect: Victor Thöne
 ArchitectuurAtelier
 Pedro Nunesstraat 6
 1086 XX Amsterdam
 The Netherlands
 e-mail: info@architectuuratelier.nl

Revisions:
 A
 B
 C
 D

Drawing:
 date: 10-12-2016
 content: Plan
 scale: 1:100 (unless indicated otherwise)
 drawing size: A3 (410x290mm at
 extensionline)

ORIGINAL and NEW status
 pagenumber: A3 plan

Projectlabel:
16171